

### General

The magnetic flow meter FL520, produced by SIM, allows to measure the flow in tubes. The measurement principle is based on the Faraday's law of electromagnetic induction. The measurement is done with great precision, since inside the tube there is no moving parts.

The magnetic flow meter FL520 is equipped with a display allowing to view several measuring options, such as: minimum flow, maximum flow, totalized flow and the possibility to show different measuring units.

Since the flow is translated into an electrical signal, it can be read manually by an electronic readout system DATAVIEW, or automatically stored by a data acquisition system such as the MINILOG or NATUN.

### Applications

Flow measurement in tubes.

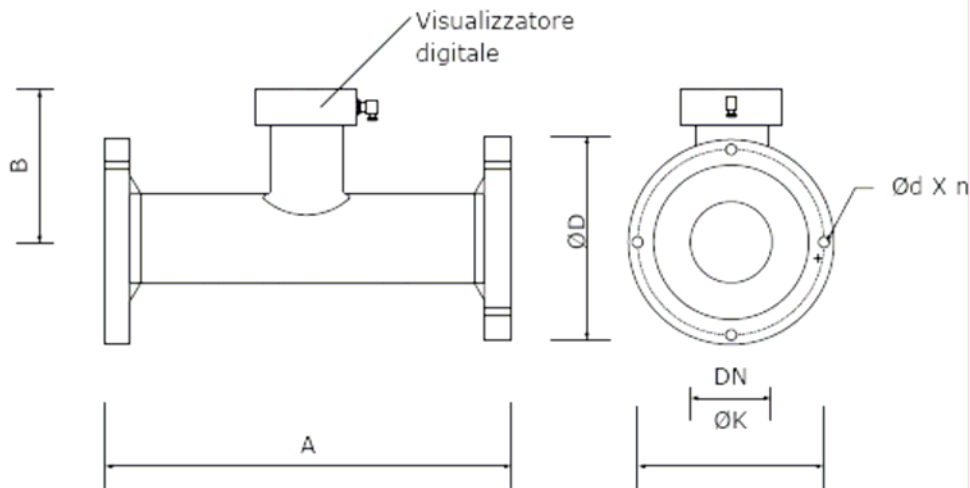
**Tubes flow monitoring**

**Without moving parts**

**Flanged**

**High temperature  
& pressure ranges**





Model	DN		A	ØD	ØK	Ød X n	B
FL520-006	6	¼"	170	90	60	14x4	254
FL520-015	15	½"	170	95	65	14x4	264
FL520-025	25	1"	225	115	85	14x4	264
FL520-050	50	2"	225	165	125	18x4	279
FL520-080	80	3"	280	200	160	18x4	297
FL520-100	100	4"	250	220	180	18x4	188
FL520-150	150	6"	300	285	240	22x8	216
FL520-200	200	8"	352	340	295	22x12	241
FL520-250	250	10"	450	390	350	22x12	264

## Technical features

Supply	220V, 12-24 Vcc*
Output	4-20mA instantaneous, impulses, totalized
Linearity	0.5% FS
Ripetibilità	<0.1% FS
Speed	0.03 – 12 m/s
Direction	Bidirectional
Min conductivity	5 µS/cm
Pressure	up a 100 bar*
Operating temperature	-20 +60
Protection	IP65, IP68 upon request
Material	Carbon steel, INOX upon request
Electrodes	Hastelloy C

## Accessories & spare parts

FL520 - AX - Mxxx	Couples of flanges
-------------------	--------------------

\* Specify at order



SIM STRUMENTI SNC  
 Via Merendi 42  
 20010 Cornaredo (MI) - ITALY  
 Tel. : +39 02 97003039  
 Tel. : +39 02 97003329  
 Fax : +39 02 97290167  
 www.simstrumenti.com  
 sim@simstrumenti.com



# SIM

Strumenti e sistemi  
 per la geotecnica  
 per il controllo  
 di strutture e la  
 salvaguardia  
 dell'ambiente