



General

The flow probe FL530 is an instrument suitable for measuring the water speed in channels, rivers and partially filled tubes. The system consists of telescopic bar with a propeller and digital display. The working principle consists of a free-moving prop, which inserted into the water, creates a number of impulses directly proportional to the water speed. Those impulses are shown on a display under actual and average speed.

The flow probe FL530 is produced in two models, which differs from the extension of the telescopic bar.

Applications

Water flow measurement in channels, rivers etc.

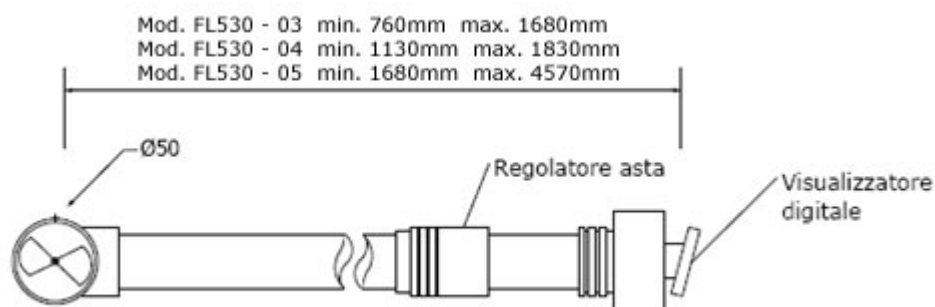
Compact

Easy to use

Flow monitoring of channels and rivers

Swivel head





Technical features

Model	FL530 - 03	FL 530 - 04	FL 530 - 05
Range	0.1 – 6.0 m/s		
Precision	0.03 m/s		
Display	LCD		
Supply	Internal battery		
Sensor	Prop with magnetic pulse		
Bar	760-1680	1130-1830	1680-4570
Operating temperature	-10 ÷ +50 °C		
Material	PVC, anodized aluminum, INOX		
Swivel head	-	Upon request	Upon request

Accessori e parti di ricambio

FL530 - AX - DSPL	Digital display
FL530 - AX - DSHD	Display holder
FL530 - AX - PRB3	Probe handle model 03
FL530 - AX - PRB4	Probe handle model 04
FL530 - AX - PRB5	Probe handle model 05
FL530 - AX - KT01	Prop, bushing, screws kit
FL530 - AX - CCS1	Probe case model 03/04
FL530 - AX - CCS2	Probe case model 05



SIM STRUMENTI SNC
 Via Merendi 42
 20010 Cornaredo (MI) - ITALY
 Tel. : +39 02 97003039
 Tel. : +39 02 97003329
 Fax : +39 02 97290167
 www.simstrumenti.com
 sim@simstrumenti.com



SIM

Strumenti e sistemi
 per la geotecnica
 per il controllo
 di strutture e la
 salvaguardia
 dell'ambiente