



General

The Electromagnetic Flow Sensors of the series FL540 are highly reliable adjustable depth insertion flow sensors. The meters have no moving parts, no rotors to stop turning in dirty water, and no bearings to wear out.

The sensor produces a rapidly reversing magnetic field in the lower housing. As fluid moves through this field, a voltage is generated. This voltage is measured and translated into a frequency signal that is proportional to flow rate. This square wave signal can then be sent directly to a PLC or other control system, or it can be converted using optional output displays and converters with a 4-20mA signal. There are two types of displays: mounted directly on the sensor or on a wall.

Applications

Water flow measurement in pipes.

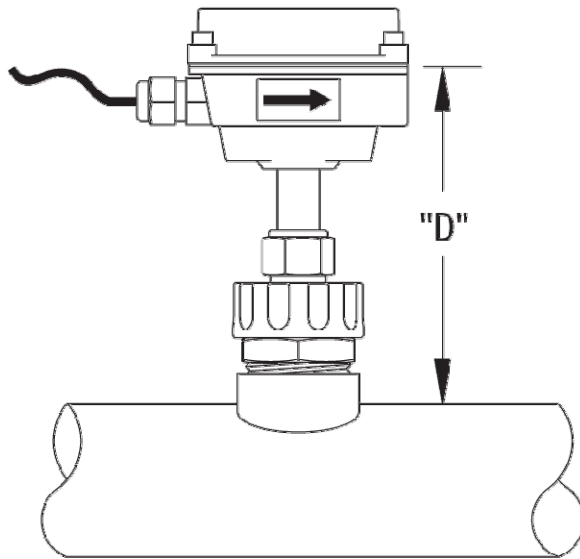
Ideal for turbid water applications

Depth adjustable sensors

Optional 4-20mA output

Optional flow rate and totalizer display





Technical features

Model	FL540-01IN	FL540-01OT	FL540-02IN	FL540-02OT
Range	0.06 ÷ 6.09 m/sec			
Pipe size	3"-10"		10"-48"	
Output	Square wave pulse, opto isolated 500Hz 20ft/sec			
Supply	12-24Vcc			
Consumption	250mA			
Accuracy	1%			
Max. pipe pressure	13.8 bar			
Ambient temperature	-17 ÷ +82°C			
Fluid temperature	0° ÷ +100°C			
Minimum Conductivity	20µS			
Material	AISI 316	OTTONE	AISI 316	OTTONE
Housing	Powder-coated aluminium			
Electrode	Hastelloy			
Dimensions	10x10x30.5cm		10x10x43.2cm	
Weight	1.36		1.54	

Accessories & spare parts

FL530 - AX - DSPW1	Wall mounted display with 4-20 mA output
FL530 - AX - DSPM2	Meter mounted display with 4-20 mA output
FL530 - AX - BCVM1	Wall mounted 4-20 mA converter
FL530 - AX - BCVM2	Meter mounted 4-20 mA converter