

## General

The LC220 embedment strain gauge measure deformations in piles, tunnel linings, diaphragm walls and bridges during the installation phases or during normal working stages. The LC220 consist of a full strain gauge bridge. It has all the features to work properly in every environment, it is waterproof and it can be mounted externally to strain solicited structures or embedded in concrete.

Upon request, SIM STRUMENTI can supply embedment strain gauges with better adherence.

Since the output of the instrument is electrical, the signal can be read with a manual read out unit like the DATAVIEW, automatically, with a data logger such as the MINILOG, MYLOG or NATUN system or any other data logger provided by SIM STRUMENTI.

## Applications

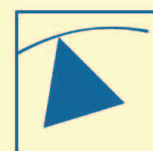
Strain measurement in piles, tunnel linings, diaphragm walls, concrete, used in dams, bridges, piles, caissons, tunnel linings etc.

**Deformation measurement**

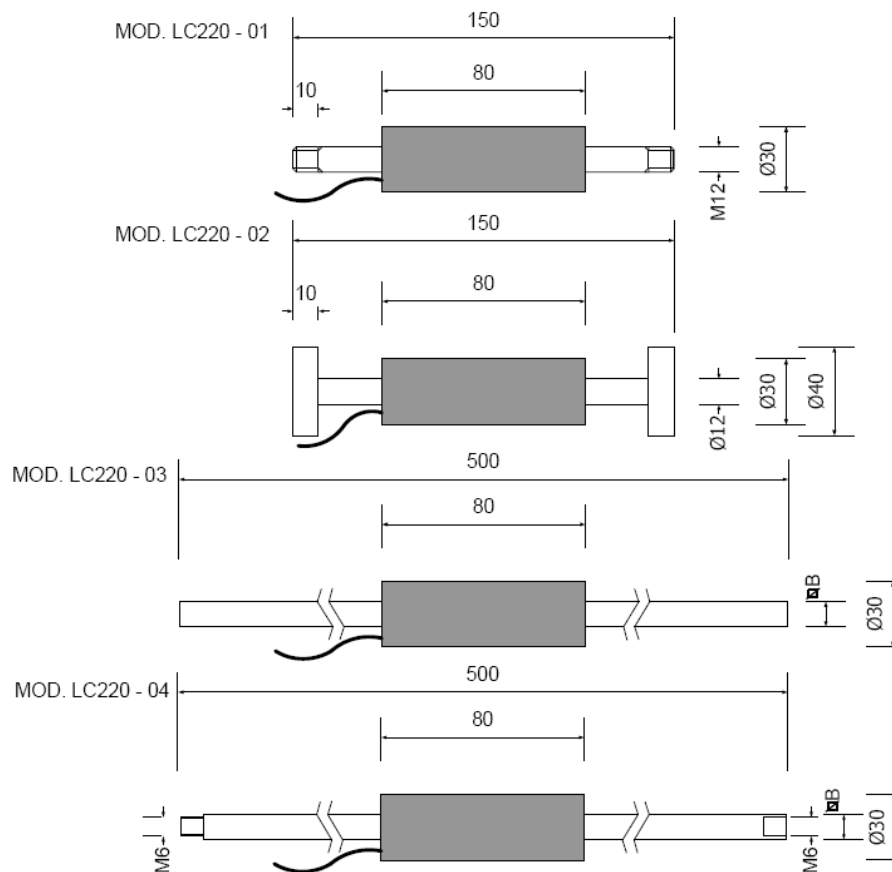
**Strain gauge technology**

**Rugged and compact**

**Low cost**



**SIM**  
Strumenti e sistemi  
per la geotecnica  
per il controllo  
di strutture e la  
salvaguardia  
dell'ambiente



Technical features				
Model	LC220 - 01	LC220 - 02	LC220 - 03	LC220 - 04
Range	± 2500mε ± 0,375mm			
Supply	1-10Vcc for 1mV/V ; 8 ÷ 24Vcc for 4-20mA			
Output	2 mV/V, 4-20 mA			
Linearity	1% FS			
Repeatability	<0.01% FS			
Overload	150% FS			
Input resistance	350 Ω			
Output resistance	350 Ω			
Insulation	> 5000 MΩ			
Diameter Bar	Ø8mm		□10mm	
Material	SS 17-4 PH		FE or AISI304	
Protection	IP67			
Accessories & spare parts				
LC220 - AX - BEMA	4-20 mA Converter			

LC220\_EN ED01/14



SIM STRUMENTI SNC  
 Via Merendi 42  
 20010 Cornaredo (MI) - ITALY  
 Tel. : +39 02 97003039  
 Fax : +39 02 97290167  
 www.simstrumenti.com  
 sim@simstrumenti.com



# SIM

Strumenti e sistemi  
 per la geotecnica  
 per il controllo  
 di strutture e la  
 salvaguardia  
 dell'ambiente