



USER MANUAL

Visual and Sound Alarm



Index

1	General Description	2
2	Connections and Settings	3
3	Siren Operation Table	4
4	Technical Features	6
5	Alarm card	7

General Description



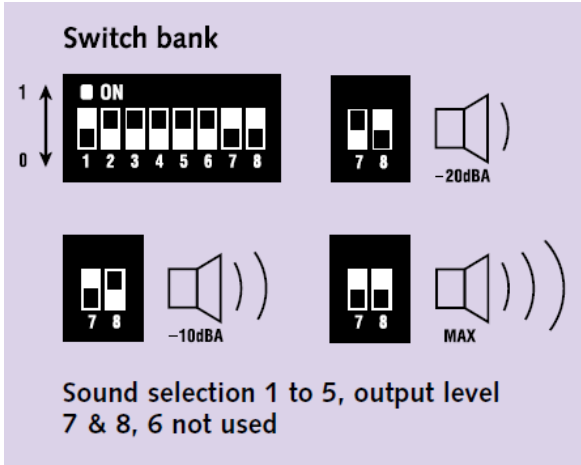
The light / acoustic signaling device is equipped with a piezoelectric acoustic signal, with 32 tones to select from the user and 3 volume levels. Made of fireproof polymer, these signal devices are equipped with a red lens and are available with a high or low base, in red or white.



img.1

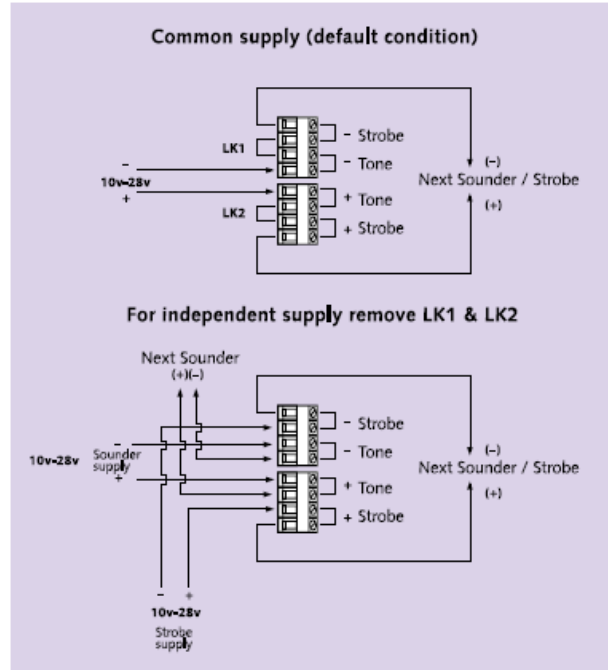


Connections and Settings



Dip switch settings

img.2



Terminal connections

img.3



Siren Operation Table

3

N	Frequency	Dip switch code 12345	Description	Db		Consumption mA	
				12V	24V	12V	24V
1	800Hz to 950Hz swept at 120Hz	00000	Banshee Buzz LF	94	100	6	12
2	800Hz to 950Hz swept at 9Hz	10000	Banshee Fast Sweep LF	94	100	6	12
3	800Hz to 950Hz swept at 3Hz	01000	Banshee Slow Sweep LF	94	100	6	12
4	Continuous at 850Hz	11000	Banshee Continuous LF	94	100	6	12
5	830Hz to 970Hz swept at 9Hz	00100	Banshee Fast Sweep LF (New)	93	100	6	12
6	800Hz to 970Hz swept at 1Hz	10100	Medium Sweep LF	94	100	6	12
7	Continuous at 970Hz	01100	Continuous LF	94	99	6	13
8	Intermittant at 950Hz 1sec on, 1sec off	11100	Backup Alarm LF	93	99	7	14
9	Alternating 800Hz/1000Hz, 0.5sec each sound	00010	Alternate LF	94	100	6	13
10	800Hz/1000Hz swept at 0.5sec	10010	Medium Sweep LF	94	100	6	12
11	Alternating tones 800/950Hz at 3Hz	01010	Alternate LF	94	101	6	12
12	2400Hz to 2900Hz at 120Hz	11010	Banshee buzz HF	102	109	16	35
13	2400Hz to 2900Hz at 9Hz	00110	Banshee Fast Sweep HF	103	110	17	35
14	2400Hz to 2900Hz at 3Hz	10110	Banshee Slow Sweep HF	103	110	17	35
15	Continuous 2900Hz	01110	Banshee Continuous HF	103	109	19	39
16	2450Hz to 3100Hz swept at 9Hz	11110	Banshee Fast Sweep HF (New)	103	109	18	36
17	Intermittant at 2900Hz 1sec on, 1sec off	00001	Backup Alarm HF	103	109	18	36
18	Alternating tones 2400/2900Hz at 3Hz	10001	Alternate HF	104	110	16	36
19	500Hz rising to 1200Hz over 3.5, silence 0.5sec	01001	Slow Whoop	95	101	6	12
20	1200Hz falling to 500Hz over 1sec, silence 10ms	11001	Din Tone (DK)	93	100	5	10
21	554Hz for 100ms and 440Hz for 400ms	00101	French Fire Sound	90	96	4	7



22	420Hz repeating 0.625sec on, 0.625sec off	10101	Australian Alert Signal	89	94	3	6
23	500Hz rising to 1200Hz over 3.75sec on, 0.25sec off	01101	Australian Evacuation Signal	95	101	6	12
24	950Hz for 0.5sec on 0.5sec off, for 3 phases, silence for 1.5sec	11101	US Temporal Tone LF	93	99	5	10
25	2900Hz for 0.5sec on 0.5sec off, for 3 phases, silence for 1.5sec	00011	US Temporal Tone HF	103	109	13	26
26	Intermittant 660Hz 150ms on, 150ms off	10011	Swedish Tone (Fire)	90	96	3	6
27	Continuous 660Hz	01011	Swedish Tone (All Clear)	91	97	5	9
28	Intermittant 970Hz 500ms on, 500ms off	11011	ISO8201 LF	90	96	5	10
29	Intermittant 2900Hz 500ms on, 500ms off	00111	ISO8201 HF	103	109	13	27
30	Yodel 800Hz/1000Hz, 0.25sec each frequency	10111	BT Banshee (FP1063.1)	94	100	6	12
31	Continuous 1000Hz	01111	BT Banshee (FP1063.1)	88	94	6	14
32	Bell Tone	11111	Bell Tone	94	99	12	25



Technical Features

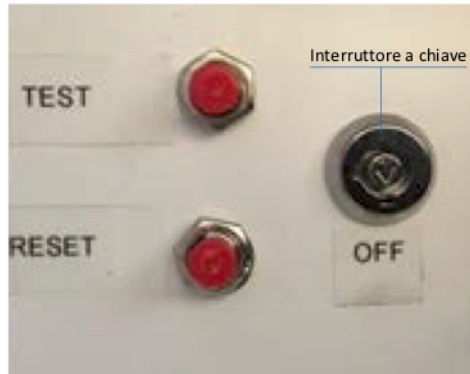
4

Supply	9-30 Vcc
Siren consumption	See the table
Light consumption	12mA at 12V ; 16mA at 24V
Lens color	Red
Mounting	Bayonet
Light effect	Stroboscopic
Light bulb type	Led
Siren type	Electronic
Decibel at 1mt	110 dB
Casing color	Red
Operating temperature	-20 ÷ +70 °C
Base protection	IP66



Alarm card

5



img.4

Attention



- When the key switch is in OFF (down arrow) the visual and audible alarm is off.
- The TEST key is used to check the functioning of the visual and acoustic alarm.
- The RESET button interrupts the visual and acoustic alarm; if the alarm is activated with the MINILog, it will only remain interrupted until the next threshold check.





Sim Strumenti S.n.c.

Via Merendi 42
20010 CORNAREDO (MI)
ITALY
Tel: +39 02 9700 30 39
Fax: +39 02 9729 01 67
www.simstrumenti.com
sim@simstrumenti.com