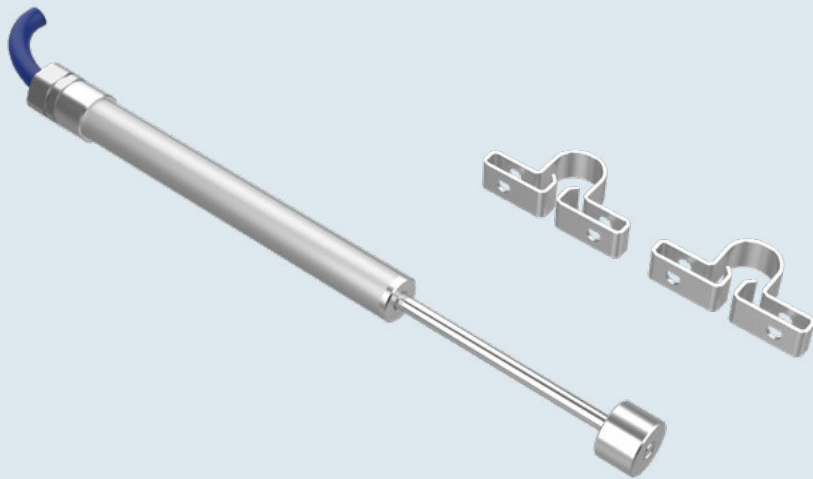


DS805

Joint meter



Description

The DS805 joint meters are suitable for measuring displacement between two points, therefore they are used for monitoring cracks or joints in structures or rocks.

Used in any environmental situation, they guarantee high reliability.

The DS805 joint meters are slim and robust. They are constructed with an aluminum body that allows them to also be used outdoors.

They are supplied with copper-braid shielded cable, marine grade jacket.

The DS805 have various technical configurations: several ranges (25...250mm), supplies (1...24Vcc) and outputs (mV,mA).

Every sensor is provided with a calibration certificate that attests the results of the test performed and all electromechanical features.

Manual read out with DATAVIEW.

Automatic read out with MINILOG, MYLOG.

Readout units with NATUN.

Applications

Structural cracks, structural joints, pile displacements etc.



DS805

Joint meter

Technical features

| | | |
|---|------------------------------------|--------------------|
| Model | DS805-AA-FS-AS* | |
| Sensor | Potentiometer | |
| Range | 25, 50, 100, 150, 200, 250, 300 mm | |
| Dimensions | Ø12mm x 180(min)÷232(max) mm | |
| | - 01 | 1-12Vcc / 1000mV/V |
| | - 02 | 7-24Vcc / 0-1V |
| Possible combinations between Supply / Output | - 03 | 7-24Vcc / 0-2V |
| | - 04 | 7-24Vcc / 0-5V |
| | - 05 | 8-24Vcc / 4-20mA |
| Linearity | ±0.1 %FS | |
| Resolution | 0.001 mm | |
| Operating temperature | -30 ÷ +100 °C | |
| Insulation | >100MΩ a 500V | |
| Protection | IP65 | |
| Material: body transducer, rod, ball joint, screw, gland and threaded rod anchors | Aluminum | |

Accessories

| | |
|--|----------------------|
| Ball joint and mounting bracket | DS805-AX-SGS1 |
| X axis brackets | DS805-AX-MWAX |
| Y axis brackets | DS805-AX-MWAY |
| Z axis brackets | DS805-AX-MWAZ |

*FS Indicate the range

*AA Indicate the combination Supply/Output (-01... -05)

*AS Indicate measuring axis (-X, -Y, -Z)